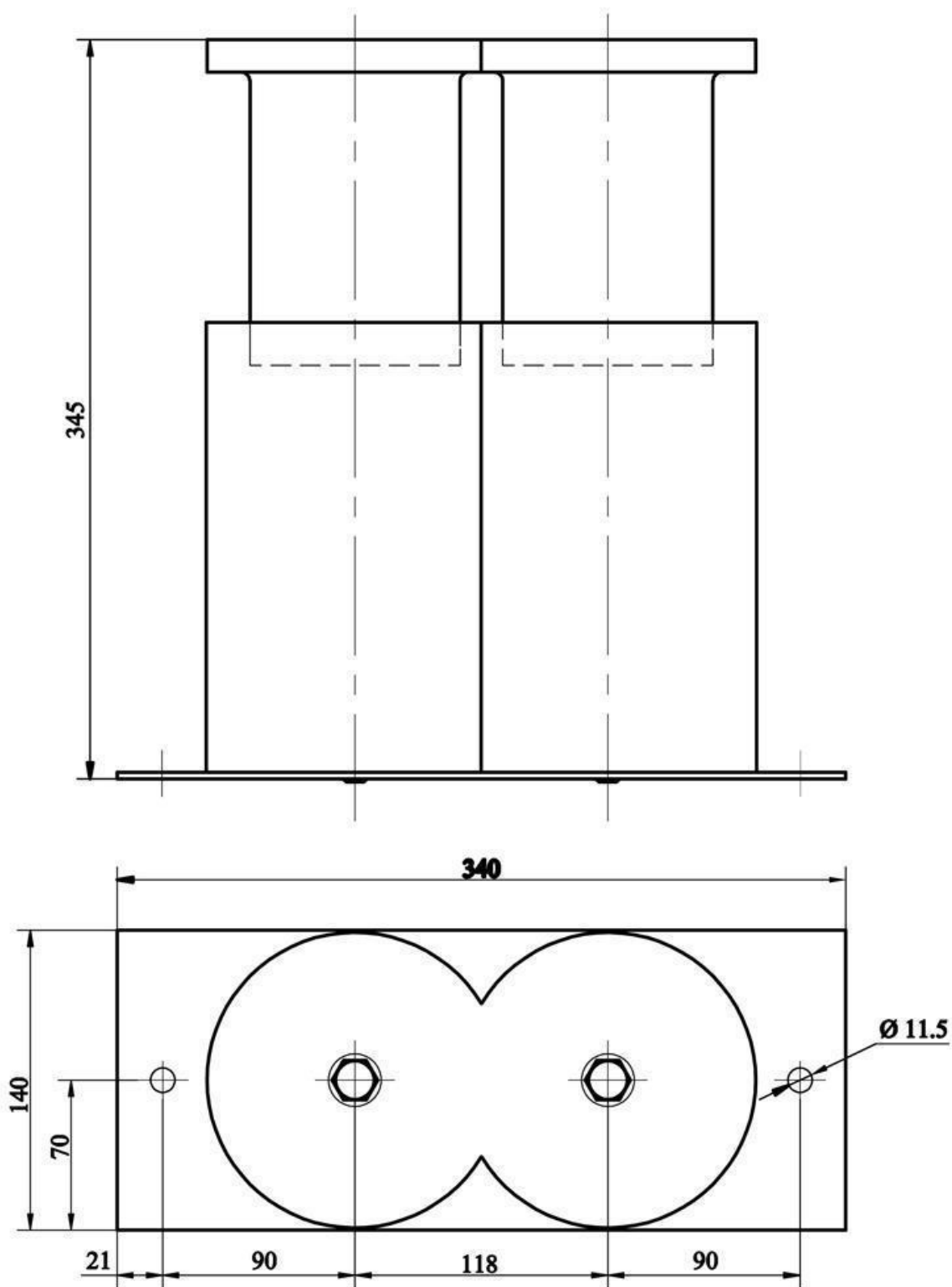




Sky-620

sky elevator®



7455 - 11929 N

760 kg - 1216 kg

$v_n \leq 1.0 \text{ m/s}$